

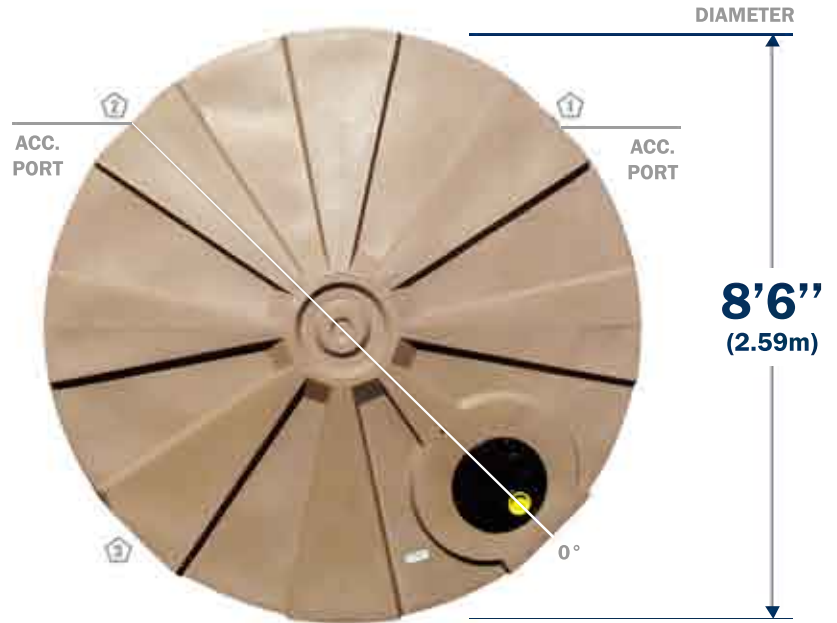
## TOP VIEW

### STRAINER BASKET

Material: Polypropylene  
 Color: Black  
 Dimension: 16" x 4"  
 Mesh: 20x20 S.S.

### COVER

Material: Polypropylene  
 Color: Black  
 Diameter: 16"  
 Holes: 2 - 4" K.O.  
 1 - 3" Precut



## SIDE VIEW

### TANK

Material: Polyethylene  
 Ribbs: 10

### OVERFLOW

Material: Polypropylene  
 Diameter: 3" SDR 35

### FITTINGS

Type: Bulkhead  
 Height: 5"/90°  
 23"/180°  
 5"/270°

Location: Every 120°  
 Diameter: 1" NPT



## FEATURES



## ORDER

53' Truck Load  
Quantity = 6

BRTT 2825 CX PX

### 1 Tank Configuration

BRTT - Bushman Round Tall Tank

### 2 Capacity

2825 U.S. Gallons (2352 Imperial Gallons, 10695 Liters)

### 3 Color

C0 - Black  
C3 - Forest Green  
C4 - Mocha Brown  
C5 - Brick Red

### 4 Package

P1 - Basic Tank System, Package 1  
P2 - Premier System, Package 2  
P3 - Signature System, Package 3E

- Tank dimensions may prohibit LTL shipping.
- Specifications are subject to change without notice.
- Dimensions are approximate and may vary

## COLORS

BLACK

GREEN

MOCHA

BRICK

- Actual colors will vary.

### Corporate Headquarters

26040 Ynez Road, P.O. Box 893051  
Temecula, California 92589-3051  
866.920.8265 (p)  
951.296.6123 (f)

### Canada

6185 Tomken Road, Unit 3-5  
Mississauga, Ontario L5T1X3  
800.387.8332 (p)  
905.565.8282 (f)

[www.bushmanusa.com](http://www.bushmanusa.com)